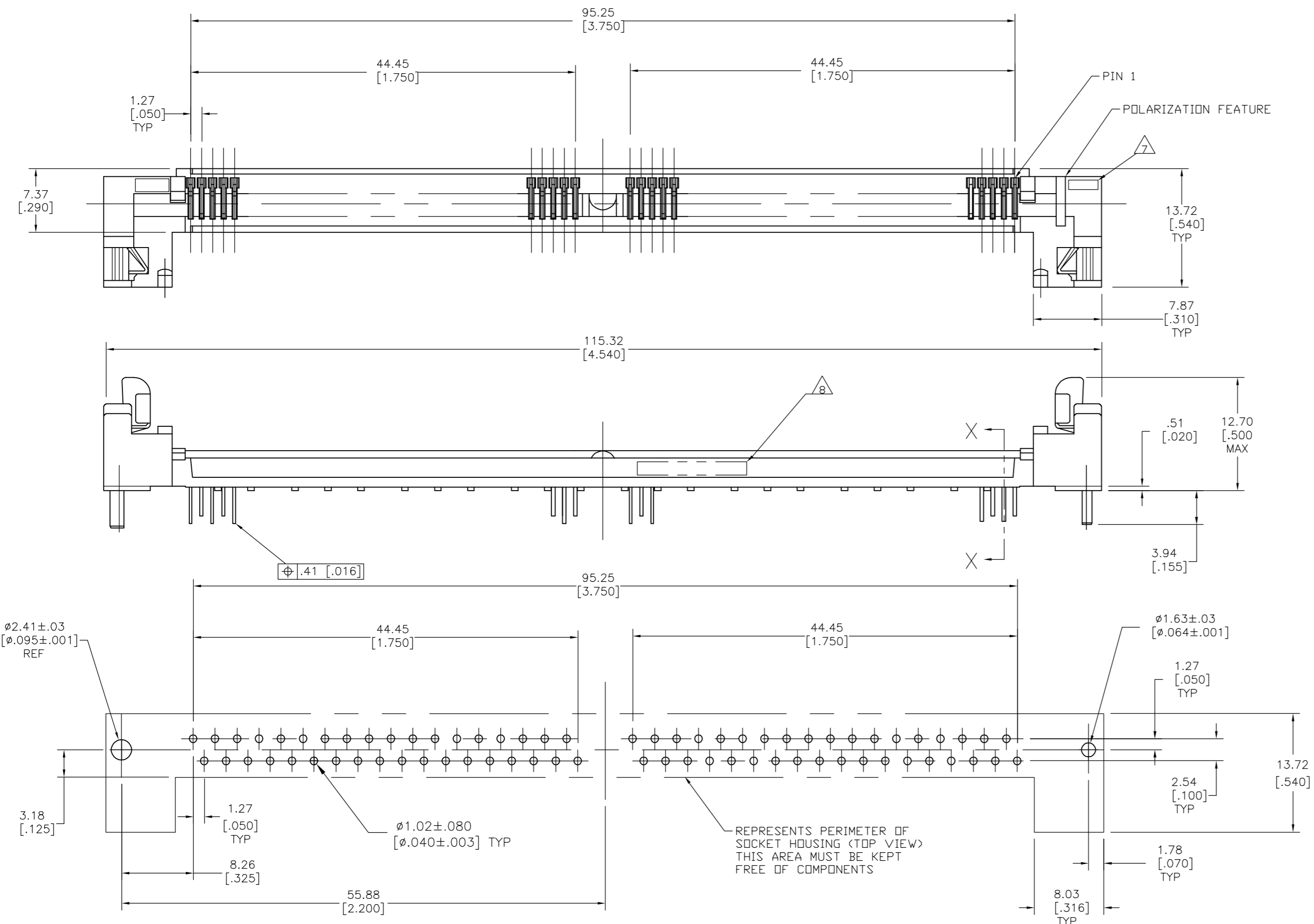
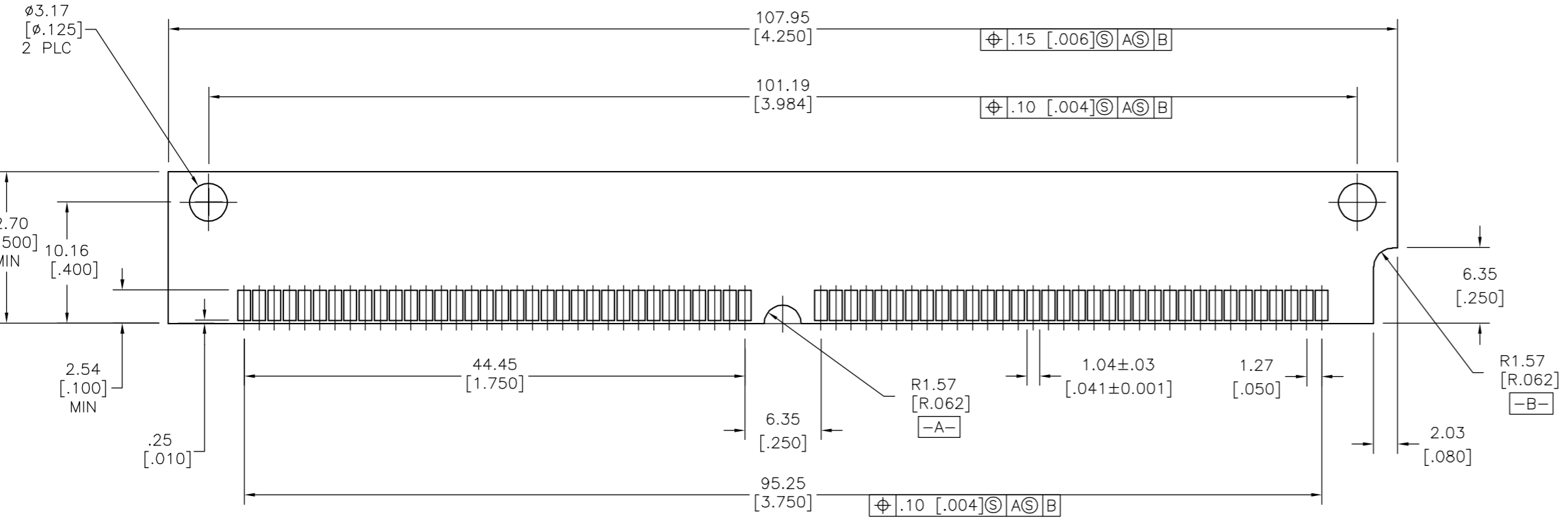


THIS DRAWING IS UNPUBLISHED. RELEASED FOR PUBLICATION  
 © COPYRIGHT BY TYCO ELECTRONICS CORPORATION. ALL RIGHTS RESERVED.

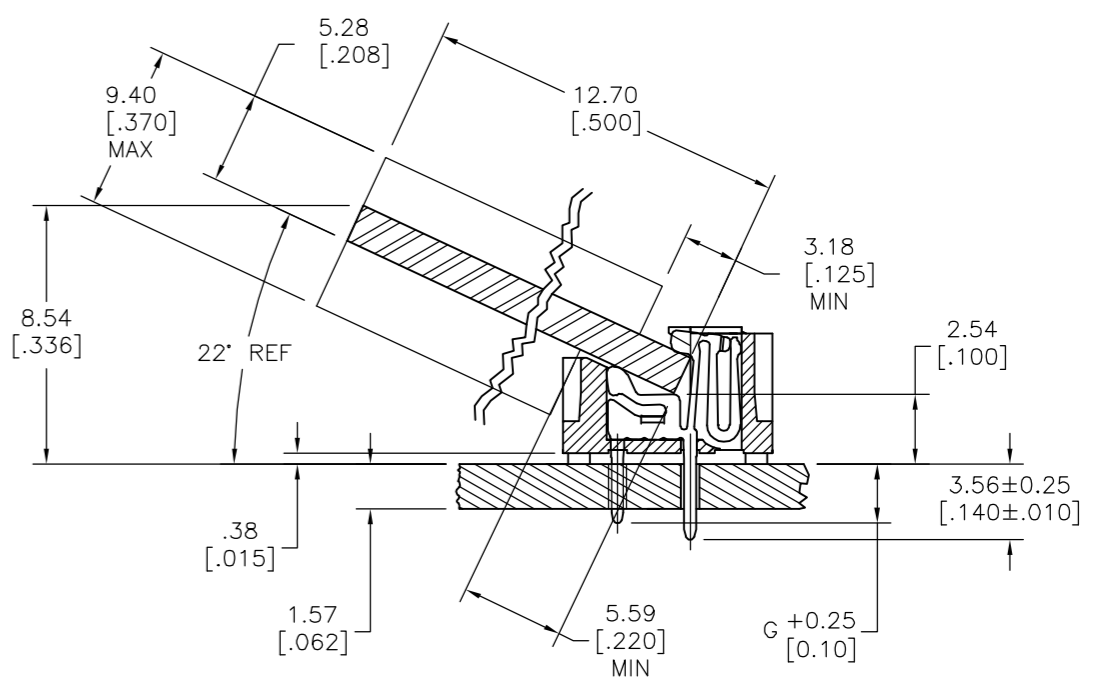
| LOC |     | DIST                      |  | REVISIONS |     |      |  |
|-----|-----|---------------------------|--|-----------|-----|------|--|
| P   | LTR | DESCRIPTION               |  | DATE      | DWN | APVD |  |
|     | N   | REVISED PER ECO-06-007841 |  | 19JUL06   | JDP | MB   |  |



RECOMMENDED PC BOARD HOLE PATTERN SOCKET SIDE



- △ HOUSING MATERIAL: LIQUID CRYSTAL POLYMER.
- △ CONTACT MATERIAL: PHOS. BRONZE.
- △ LATCH MATERIAL: STAINLESS STEEL.
- △ CONTACT PLATE: .00508 [0.00200] MIN TIN/LEAD OVER .00127 [0.00050] MIN NICKEL.
- 5. IN ADDITION TO THOSE RECOMMENDED "SIMM" PC BOARD DIMENSIONS AND TOLERANCES SHOWN, ALL JEDEC SPECIFICATIONS APPLY AS SHOWN ON MO-116, ISSUE A.
- 6. RECOMMENDED MATING SIMM TAB METALLURGY: .00762 [0.00300] MIN TIN/LEAD OVER .00127 [0.00050] MIN NICKEL.
- △ "S" IDENTIFICATION SHALL BE LOCATED IN APPROX LOCATION SHOWN.
- △ DATE CODE INFORMATION (YEAR WEEK), LOCATED APPROXIMATELY AS SHOWN ON OPPOSITE SIDE.



SECTION X-X  
SCALE 5:1  
(BOARD SHOWN FOR REF ONLY)

|                  |              |             |
|------------------|--------------|-------------|
| 3.56 [0.140]     | 72           | 822330-4    |
| 2.92 [0.115]     | 72           | 822330-3    |
| G ± 0.25 [0.010] | NO. OF POSNS | PART NUMBER |

|   |  |                         |   |
|---|--|-------------------------|---|
| THIS DRAWING IS A CONTROLLED DOCUMENT.  |  | DWN B.MCMMASTER 06JAN05 | Tyco Electronics Corporation<br>Harrisburg, PA 17105-3608 |
| DIMENSIONS: mm [INCHES]   |  | CHK M.YEOMANS 06JAN05   |   |
| TOLERANCES UNLESS OTHERWISE SPECIFIED:  |  | APVD M.YEOMANS 06JAN05  | NAME  |
| 0 PLC ± -<br>1 PLC ± -<br>2 PLC ± -<br>3 PLC ± .13[.005]<br>4 PLC ± -<br>ANGLES ± -<br>FINISH |  | PRODUCT SPEC            | CONNECTOR, MICRO-EDGE, .050 LP, TIN PL, W/ METAL LATCH    |
| MATERIAL  |  | APPLICATION SPEC        | SIZE CAGE CODE DRAWING NO RESTRICTED TO                   |
|   |  | WEIGHT -                | A2 00779 C=822330   |
| CUSTOMER DRAWING  |  | SCALE 4:1               | SHEET 1 OF 1 REV N  |